

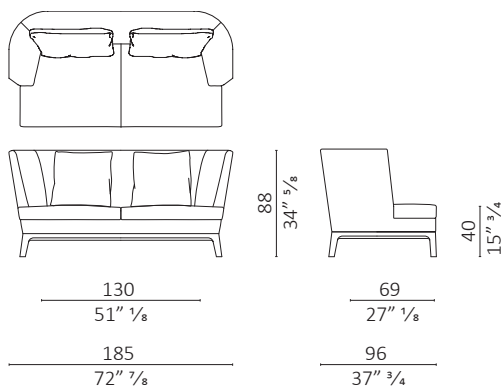
Caracalla design Giuseppe Casarosa

Caratteristiche tecniche - Divano con struttura interna realizzata in legno massello e base in massello di noce americano. Cuscini imbottiti con poliuretano espanso non deformabile di varie densità e piuma.

Technical features - Sofa with internal structure made in solid wood and base in solid American walnut. Cushions padded with non-deformable polyurethane foam of various densities and filled with down.

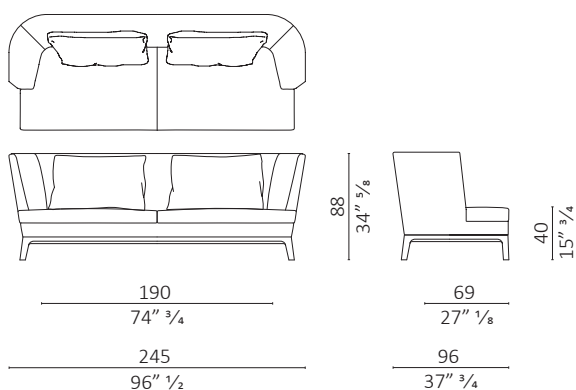


Caracalla alto / high



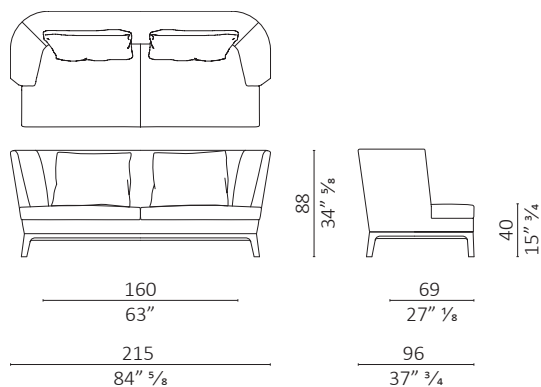
c.o.m. (l.mt.13,00/sq.mt.22,13)
volume m³ 1,836 - **kg.** 55

Caracalla alto / high



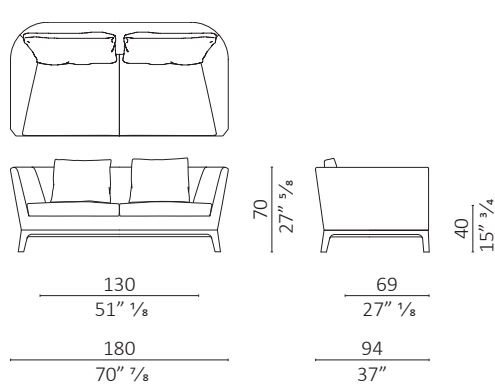
c.o.m. (l.mt.13,60/sq.mt.22,60)
volume m³ 2,547 - **kg.** 81,5

Caracalla alto / high



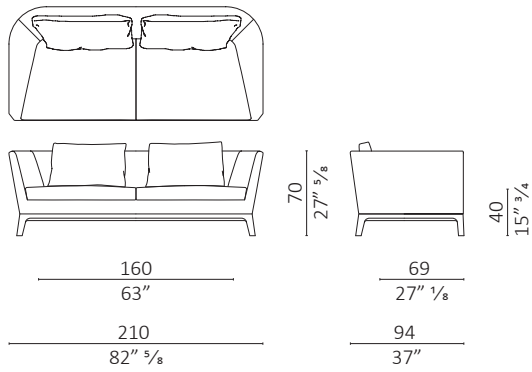
volume m³ 2,284 - **kg.** 70

Caracalla basso / low



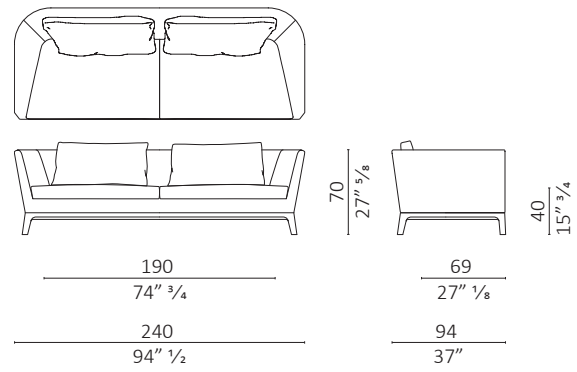
volume m³ 1,712 - **kg.** 55

Caracalla basso / low



c.o.m. (l.mt.11,50/sq.mt.19,60)
volume m³ 1,788 - kg. 65

Caracalla basso / low



volume m³ 1,865 - kg. 75

Finiture / Finishes

Legno Noce / Wood Walnut



noce
walnut



noce dark
walnut dark



noce moka
walnut moka



noce brown
walnut brown

Tessuto Velluti e Ciniglie / Fabric Velvet and Chenille



Belsuede-029



Belsuede-032



Belsuede-015



Belsuede-014



Belsuede-01



Belsuede-036



Belsuede-016



Belsuede-017



Belsuede-040



Belsuede-034



Belsuede-010



Belsuede-011

Finiture / Finishes

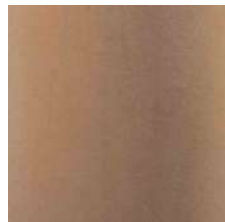
Tessuto Velluti e Ciniglie / Fabric Velvet and Chenille



Belsuede-012



Belsuede-039



Amazonie-041



Amazonie-042



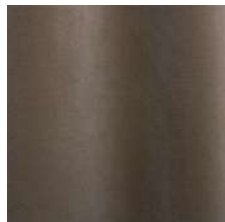
Amazonie 002



Amazonie 022



Amazonie 025



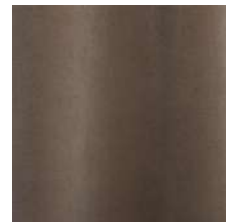
Amazonie 045



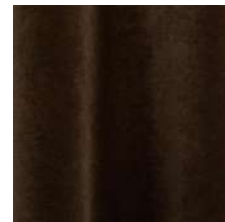
Amazonie 040



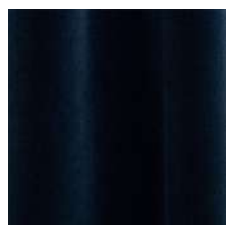
Amazonie 043



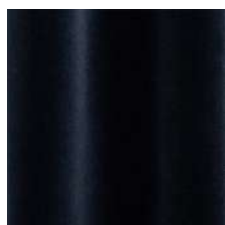
Amazonie 036



Amazonie 038



Amazonie 037



Amazonie 035

Tessuto / Fabric Bouclé



Verone Creme



Monza 00



Mies-005



Monza 09



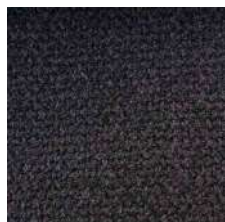
Mies-004



Monza 07



Monza 97



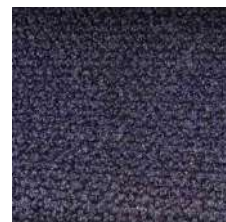
Monza 84



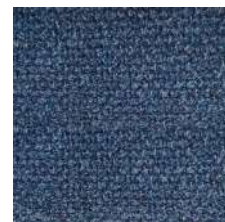
Monza 58



Monza 27



Monza 48



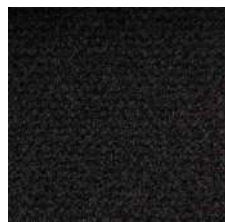
Monza 45



Verone Nuit



Mies-020



Monza 88



Mies-008

Finiture / Finishes

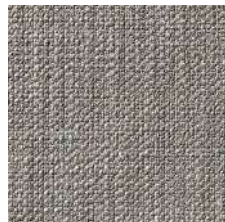
Tessuto Vari / Fabric Various



Gypsy-892



Flair-108



Gypsy-895



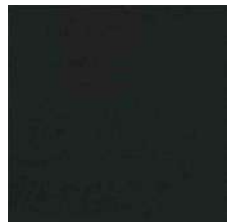
Divina 3 224



Oxford-893



Grisaille-004



Divina 3-191



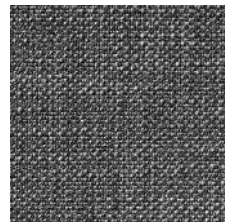
Oxford-897



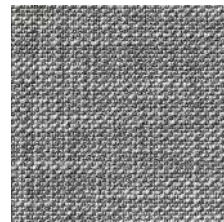
Flair-121



Oxford-999



Gypsy-997



Gypsy-995



Gypsy-184



Gypsy-799



Flair 166



Oxford-889



Flair-164



Gypsy-699

Pelle / Leather Color Sphere PF



SC 06 Calicot



SC 23 Tortora



SC 32 Caolino



SC 51 Panna



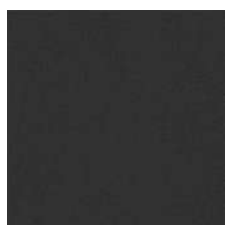
SC 31 Quarzo Fumè



SC 34 Maggese



SC 26 Topo



SC 20 Inchiostro



SC 21 Amianto



SC 53 Creta



SC 55 Camel Hair



SC 52 Daino



SC 66 India



SC 59 Noce di Pecan



SC 80 Bruno Havana



SC 29 Ardesia



SC 148 Lacca



SC 146 Coccio Pesto

Finiture / Finishes

Pelle / Leather Color Sphere PF



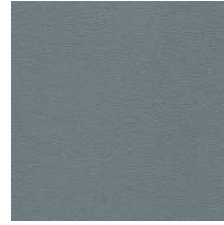
SC 173 Glauco



SC 177 Limo



SC 178 Alpi



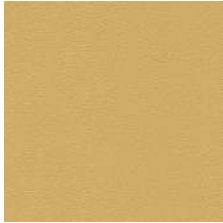
SC 254 Steel Blue



SC 278 Atlantic Blue



SC 279 Alchemy



SC 133 Paglierino

Pelle naturale / Natural leather Acquario



201 Testa di moro



202 Antracite



204 Fango

Pelle naturale / Natural leather Nabuk



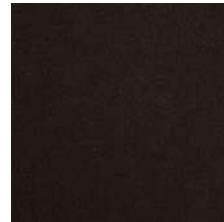
Nabuk Grigio



Nabuk Conchiglia



Nabuk Seppia



Nabuk Marrone Scuro