

Buona notte Valentina design Noé Duchaufour-Lawrance

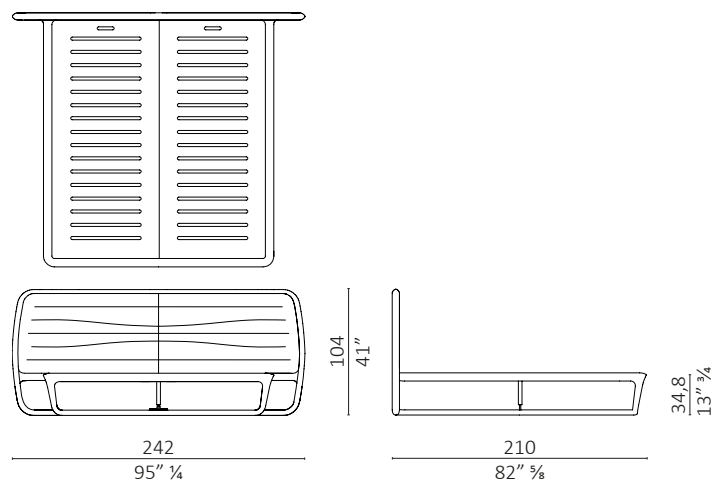
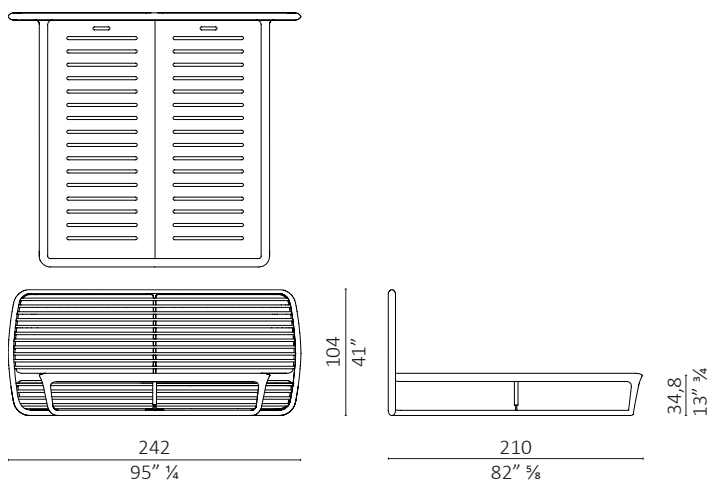
caratteristiche tecniche - letto realizzato in massello di noce americano, testata bassa con traversi in legno dritti o imbottita, versione con testata alta con traversi in legno curvato. Base letto in multistrato impiallacciato.

technical features - bed made in solid American walnut, with low headboard with straight wooden slates or upholstered, high headboard version made with curved wooden slats. bed base in veneered plywood.



Buonanotte Valentina testata bassa/low headboard

Buonanotte Valentina testata alta/high headboard



Buonanotte Valentina testata bassa rivestita in pelle/low headboard covered in leather

