

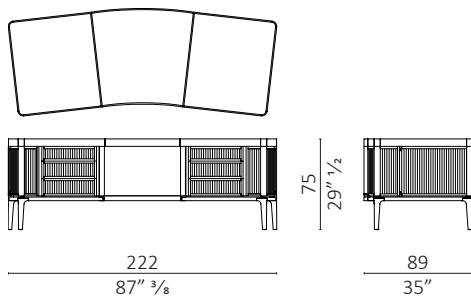
## Paperweight design Roberto Lazzeroni

**caratteristiche tecniche** - scrivania realizzata in massello di noce americano e multistrato impiallacciato, sei cassetti e due ante laterali, piano in legno o in pelle, su richiesta interni rivestiti in pelle.

**technical features** - desk made in solid American walnut and plywood veneered American walnut, six drawers and two side doors, top in wood or leather, on request internal covered in leather.



### Paperweight

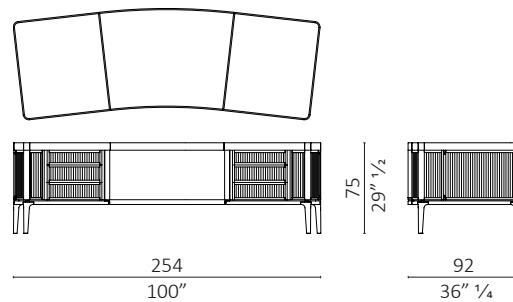


### Accessori / Accessories

passacavi/cable passage



### Paperweight



passacavi in ottone/brass cable passage

